



MODEL IR-540

CARBON DIOXIDE SENSOR

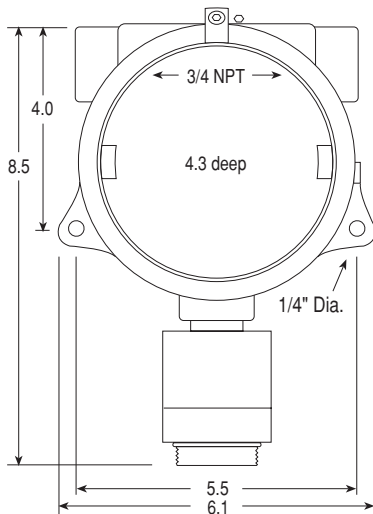
ISO 9001:2008
Certified

888-367-4286
713-559-9200
fax 281-292-2860
www.detcon.com
sales@detcon.com

SPECIFICATIONS

- Sensor Type**
Non-dispersive Infrared Optical (NDIR)
- Measurement Range**
0 - 0.3%/0 - 1%/0 - 3%/0 - 5% by volume
- Accuracy/Repeatability**
±5% full scale
- Response/Clearing Time**
T50 <15 seconds
T90 <40 seconds
- Zero Drift**
<0.05% per year
- Operating Temperature Range**
-40°F to +167°F; -40°C to +75°C
- Operating Humidity Range**
0-99% RH non-condensing
- Outputs**
Linear 4-20 mA DC
- Input Voltage**
11.5-28 VDC
- Power Consumption**
<2 watts @ 24 VDC
- Electrical Classification**
Explosion proof
Class I, Division 1, Groups B, C, D
- Safety Approvals**
CSA/NRTL (US OSHA Certified)
- Ingress Protection**
NEMA 4X, IP66
- Sensor Life/Warranty**
Sensor: 5 year warranty pro-rated
Transmitter: 2 year warranty

DIMENSIONS



Splashguard 2"H x 2"Dia.

Non-dispersive
Infrared Optical

MicroSafe™
Intelligent Sensor

DESCRIPTION

Detcon Model IR-540 sensors are non-intrusive "Smart" sensors designed to detect and monitor Carbon Dioxide. Available ranges of detection are 0-0.3%, 0-1%, 0-3%, and 0-5% by volume. The sensor assembly consists of a miniature infrared optical sensor in a stainless steel housing that includes a splashguard with integral cal port, a plug-in control transmitter circuit, a base connector board and an explosion proof enclosure.

FEATURES

- ▶ CSA and UL Approved: Class I, Division 1, Groups B, C, & D
- ▶ Simple menu driven calibration - takes less than 3 minutes
- ▶ Backlit LCD and LED indicators for FAULT and CAL status
- ▶ Unique miniature field-replaceable optical sensor
- ▶ Plug-in field-replaceable transmitter
- ▶ Low power consumption
- ▶ 5-year expected sensor life

ORDER GUIDE

- PN 965-405420-___ Model IR-540 in Aluminum Junction Box
- PN 965-40542B-___ Model IR-540-316SS in Stainless Steel Junction Box

Complete the part number by choosing range

- 005 = 5%
- 003 = 3%
- 001 = 1%
- 0X3 = 0.3%



www.detcon.com