

Multicolour Light GH2 for wall mounting

Optical signalling device with LED technology



Overview

The ActiveLine GH2 Multicolour Light for wall mounting is an optical signalling device for universal use.

The possible signalling colours green, amber, red, blue and white are applicable for a number of different signalling purposes. All colours are all shown in one single light element.

Each colour can be preset to continuous light, blinking light or strobe light. The light is generated by use of light-emitting diodes.

The plastic housing is made of impact-resistant thermoplastic and the cap consists of impact-resistant polycarbonat. The cable is led into the housing through a self-sealing grommet M16 x 1.5.

The arrangement of the fastening bar allows for a surface or flush-mounted wiring.

Features

- 5 different signal colours in just one lamp
- 3 signal modes (strobe light, blinking light, continuous light)
- Space-saving installation
- Extremely long life-cycle thanks to LED technology
- Low energy consumption

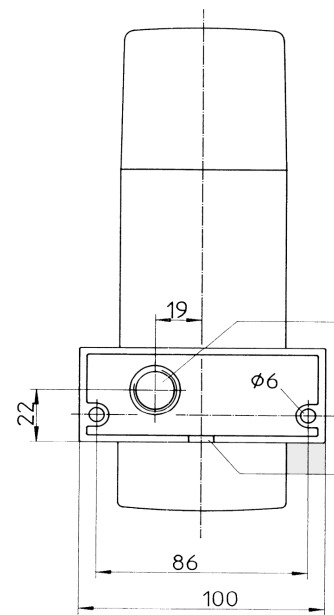
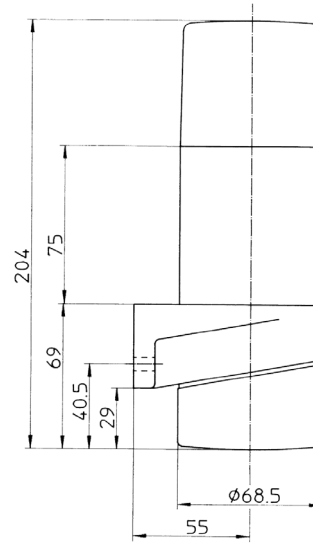


Powering Business Worldwide

General arrangement drawing (all dimensions in mm)

Specifications

Housing	Thermoplastic
Cap	Polycarbonat
Ingress protection	IP 54 according to EN 60529
Protection class	III
Connection terminals	Terminal capacity: 1.5 mm ² single or fine-wire
Cable gland	1 x self-sealing grommet M20 x 1.5
Operating modes	<p>Continuous light one colour the colour is permanently on</p> <p>multiple colours 990 ms switched on per colour</p> <p>Blinking light one colour 220 ms switched on, 275 ms switched off</p> <p>multiple colours 2 times blinking per colour</p> <p>Strobe light one colour 55 ms switched on, 440 ms switched off</p> <p>multiple colours 4 flashes per colour</p> <p>The colours always change in the sequence green – amber – red – blue – white</p>
Operating voltage	24 VDC, 230 VAC (voltage between colour connection and ground connection)
Operating conditions	Indoors and outdoors under protective roof
Operating position	Any
Temperature range	
Operation	-25 °C to +60 °C
Storage	-40 °C to +70 °C
Weight	Approx. 0.3 kg



	AC variants	DC variants
Operating voltage (voltage between colour connections and "N" connection)	230 VAC, 50 to 60 Hz	24 VDC
Tolerance		± 20 %
Current consumption colour (white) on	< 50 mA	< 135 mA
Power consumption	< 12 W	< 4 W
Protection class	II	II/III

Assignment plan

	Signalton Signalling tone	Farben Colours
Schalter (Lieferzustand) Switch (as-shipped state)		
	1 2 1 2 3 4 5 6 7 8 9 10	wh bl rd ye gn
		wh = weiß white bl = blau blue rd = rot red ye = gelb yellow gn = grün green

Ordering data

Type	Designation	Input voltage	Art. No.*
ActiveLine GH2	Multicolour Light	24 VDC, Tolerance ± 20 %	FHF 226 313 02
ActiveLine GH2	Multicolour Light	230 VAC	FHF 226 307 02