

# Signalling Light BLK Super LED

Very light-intense optical signalling device  
for indoor and outdoor application



## Overview

Optical signalling is often required for warning or notifying purposes in particularly noisy areas. The BLK Super LED provides clearly visible signals even under intense extraneous light conditions.

The sturdy housing of ingress protection IP 65 is suitable for both indoor and outdoor applications. The signalling light is available in 5 different colours.

The die-cast aluminium housing is coated with weatherproof varnish and comprises a cooling element and a pressure compensation valve to prevent the formation of condensation water. The ribbed cap on top of the signalling light is made of impact-resistant plexiglass.

The signalling device is equipped with a M20 cable gland for cable diameters of 8-12 mm. It can be operated in 3 different operation modes (continuous, blinking and strobe light) and with 3 different light intensities (800 lm, 1200 or 2000 lm).

## Features

- Ingress protection IP 65
- Compensation valve to prevent condensation water
- Robust aluminium housing
- Very bright LED technology
- Long lifecycle
- 3 different operating modes (continuous, blinking or strobe light)
- 3 different light intensities adjustable (800 lm, 1200 lm, 2000 lm)



*Powering Business Worldwide*

## Specifications

Housing	Seawater-resistant aluminium, weatherproof varnish with pressure compensation valve
Housing colour	Light grey
Cap	Plexiglass
Cap colour	Transparent, red, amber, green, blue
Ingress protection	IP 65 according to IEC 60529
Protection class	I
Cable glands	1x M20 for cables 8-12 mm (second cable gland is retrofittable)
Connection terminals	Terminal capacity: 2.5 mm <sup>2</sup> single-wire 1.5 mm <sup>2</sup> fine-wire
Operating conditions	Indoors and outdoors
Operating position	Any (preferably with cable entry facing downward)
Operating modes	Blinking light, strobe light, continuous light Operating mode and light intensityselectable with rotary switch
Weight	Approx. 1.4 kg

## Operating modes

Pos. 0	2000 lm	Continuous light
Pos. 1	2000 lm	Blinking light 0.5 s/0.5 s
Pos. 2	2000 lm	Strobe light 7x 55 ms/18 ms/1 sec. pause
Pos. 3	1200 lm	Continuous light
Pos. 4	1200 lm	Blinking light 0.5 s/0.5 s
Pos. 5	1200 lm	Strobe light 7x 55 ms/18 ms/1 sec. pause
Pos. 6	800 lm	Continuous light
Pos. 7	800 lm	Blinking light 0.5 s/0.5 s
Pos. 8		see pos. 0
Pos. 9		see pos. 1

Type	Strobe/Blinking/Continuous Light	Strobe Light	Blinking Light	Continuous Light
800 lm	Ta ≥ -55 °C	Ta ≤ +75 °C	Ta ≤ +65 °C	Ta ≤ +55 °C
1200 lm	Ta ≥ -55 °C	Ta ≤ +75 °C	Ta ≤ +65 °C	Ta ≤ +55 °C
2000 lm	Ta ≥ -55 °C	Ta ≤ +75 °C	Ta ≤ +65 °C	Ta ≤ +45 °C

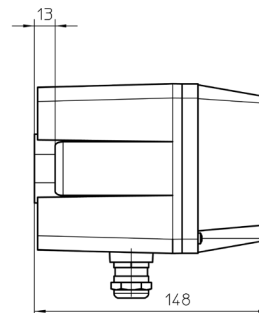
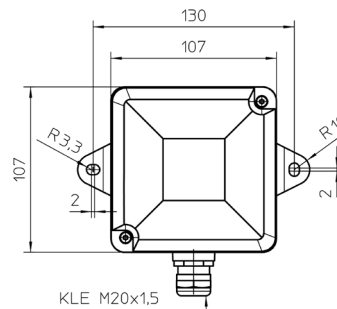
Type	Luminous Flux	Input voltage	Current consumption
BLK-Super-LED	800 lm	18-35 VDC	510 mA
BLK-Super-LED	1200 lm	18-35 VDC	750 mA
BLK-Super-LED	2000 lm	18-35 VDC	1230 mA
BLK-Super-LED	800 lm	85-264 VAC	180 mA
BLK-Super-LED	1200 lm	85-264 VAC	250 mA
BLK-Super-LED	2000 lm	85-264 VAC	400 mA

## Ordering data

\*The full article number is made up by appending the colour code to the article numbers given below.

Type	Designation	Input voltage U <sub>e</sub>	Tolerance U <sub>e</sub>	Art No.
BLK Super LED	Signalling Light	230 VAC	85-264 VAC	FHF 221 647 ..
BLK Super LED	Signalling Light	24 VDC	18-35 VDC	FHF 221 643 ..

## General arrangement drawing (all dimensions in



transparent	01
red	02
amber	03
green	04
blue	05