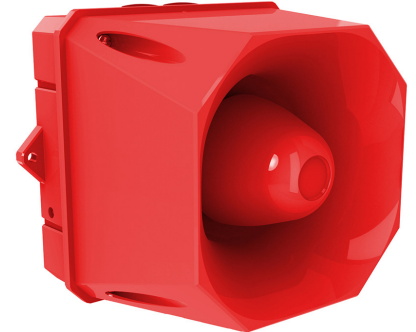


X10 Maxi sounder

Weatherproof



Overview

The X10 Maxi sounder is an industrial signaling alarm, available in 4 fade resistant body colours, and high and low voltage variants. It is certified to IP66 and IP69K, and verified to operate at extreme temperatures -30°C to 70°C, and is therefore suitable for use in harsh conditions where a robust industrial sounder is required. The X10 Maxi sounder comes with an Eaton 10 year Extended Warranty and offers up to 120 dB(A) with 102 tones, and a versatile 4 stage alarm to allow you to retrofit to an existing installation.

Features

- Powerful up to 120dB(A) output
- Dual IP rated to IP66 and IP69K and impact resistant to IK08
- 10 year warranty**
- 102 tones facilitates both new installations and retrofits, accommodating a wide range of Industry requirements
- 4 fade resistant housing colours available
- Up to 4 stage alarm, with multiple alert and control possibilities for both AC and DC variants
- Temperature range -30°C to +70°C
- Captive salt water resistant stainless steel fasteners
- M20 pre drilled threaded cable entries fitted with IP69K blanking plugs as standard
- UV stabilised polycarbonate ASA
- Low Inrush current with a range of dB(A) outputs

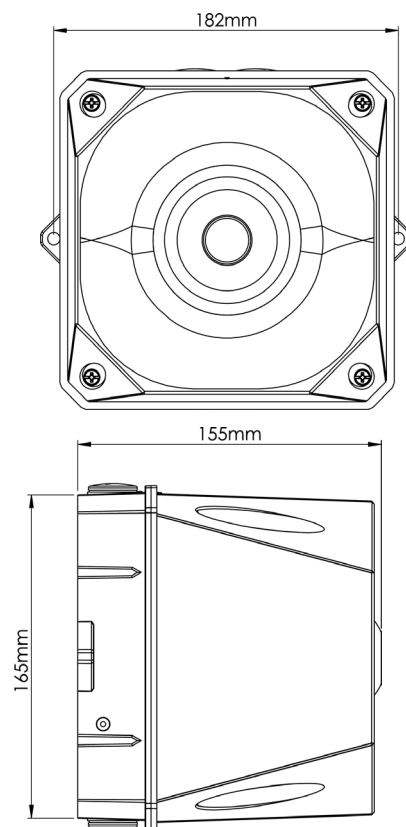
* Supply current range is based on variation of the supply voltage. A change in tone or volume settings will also impact the supply current.

** Terms and Conditions apply

Specifications

	Low voltage DC / AC product		AC Mains product	
	10V - 60V DC	10V - 30V AC	115V AC	230VAC
Rated voltage	10V - 60V DC	10V - 30V AC	115V AC	230VAC
Sounder only* (DIN Tone, High Vol)	235 - 1600 mA	650 - 2720 mA	160 mA	83 mA
Sound output	120dB			
Alarm tones	102			
Alarm stages	4			
Stage control options	+ve low voltage trigger -ve low voltage trigger +ve supply voltage trigger -ve supply voltage trigger Reverse polarity trigger		Dry /0 volt contact trigger	
Operating temperature	-30°C to +70°C			
Ingress Protection (IP) rating	IP66 and IP69K (dust ingress/high pressure water jets)			
Warranty	10 years**			
Material	UV stabilised polycarbonate ASA			
Colour - housing	Red Dark grey (Light grey and white available on request)			
Cable entry	Top: 2 x M20 threaded cable entries Bottom: 1 x M20 threaded cable entry			
Connecting terminals	Up to 2.5mm ²			
Weight	2.395kg (AC Mains); 1.830kg (Low voltage DC / AC)			

General arrangement drawing (all dimensions in mm)



Ordering requirements

Part number	Size	Body	Voltage	
FHF21533213	Maxi	Red body	10-60 VAC-DC	Low Voltage
FHF21533207	Maxi	Red body	115/230 VAC	High Voltage
FHF21533813	Maxi	Dark Grey body	10-60 VAC-DC	Low Voltage
FHF21533807	Maxi	Dark Grey body	115/230 VAC	High Voltage