



7200 PLUS AND 7400 PLUS CONTROLLERS

Two and four channel gas monitoring system



The 7200 Plus and 7400 Plus Controllers are designed to provide simultaneous display and alarm functions for up to four monitored variables. A graphic LCD displays monitored data as bar graphs and engineering units. Three adjustable alarm levels are provided per channel. Relay outputs allow control of beacons, horns and other alarm events. The controllers are easy to configure and user friendly. Measurement ranges in engineering units, adjustable alarm set-points, optional serial interfaces and many other features offer flexibility to meet most demanding applications. Some of the controllers utilize NEMA 4X rated enclosures and are CSA certified for combustible detection and hazardous locations. An optional RS-485 MODBUS® slave port allows up to 128 controllers to be multidropped onto a single data highway for interrogation by another MODBUS master. Other 7200 Plus options include six 5 amp SPDT discrete alarm relays per channel, 4 to 20 mA outputs and light stacks. Nonvolatile memory retains all configuration data indefinitely.

Common Markets Include:

- Petrochemical Oil and Gas
- Food and Beverage
- Pulp and Paper
- Water and Wastewater Treatment

Features

- Centralized Graphic Display and Alarm Controller
- Seamless Upgrade for Current Loop and Direct Cat Bead Detectors
- MODBUS Interfacing and Output Relay Options for Any Environment
- Compatibility with Teledyne's Full Array of Gas Detection Transmitters and Detectors
- Hazardous Location Approval for Class I, Division 2 Applications (certain units only)



7200 PLUS AND 7400 PLUS CONTROLLERS

Two and four channel gas monitoring system

SYSTEM SPECIFICATIONS

Inputs

Sensor input PCBs are available for combustible sensor and 4 to 20 mA. All versions may be configured for 4 to 20 mA inputs.

Analog Outputs (Optional)

10 bit 4 to 20 mA output. Max load 800 ohms with nominal 24 VDC power supply

Common Alarm Relays (Standard)

Two 5 amp 30 VDC or 250 VAC resistive Form C

Discrete Alarm (Optional)

Six 5 amp 30 VDC or 250 VAC resistive Form C

Serial Port (Optional)

Master and slave RS-485 port equipped with Tx/Rx LEDs. Protocol = MODBUS RTU. 10-BaseT Ethernet with MODBUS TCP protocol

Display

128 x 64 pixel graphic LCD with backlight displays bar graphs, 30-minute trends and engineering units. Six discrete LEDs indicate alarm status for three alarms per channel

Temperature

-25°C to 50°C

Humidity

0 to 90% R.H. non-condensing

Power Supply

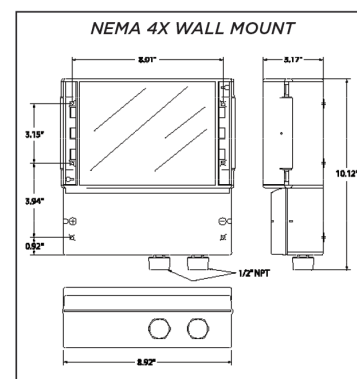
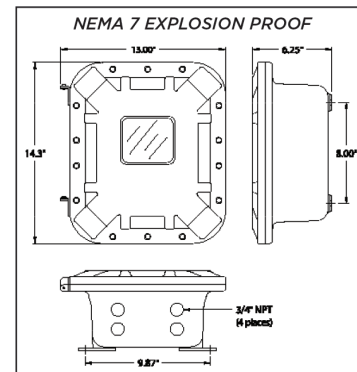
100 to 240 VAC or 24 VDC are standard primary power supplies. AC power source generates 24 VDC at 8 watts auxiliary power.

Housing Options

NEMA 4X wall mount CSA certified for Class I, Division 2, Groups A, B, C, D.

NEMA 7 explosion-proof wall mount for Division 1 areas

*Note: Adding Audible Alarm or strobe lights void CSA Approval of Unit.



APPROVALS

CSA C122.2 No. 152 performance requirements. This equipment is suitable for use in Class I, Division 2, Groups A, B, C and D or non-hazardous locations only. Note: CSA has not approved the Controller with any of the following items installed: 100db Piezo Audible Alarm, Dual Light Stack, and Strobe Light(s).

Complete 7200 Plus Controller

| Part Number | Description | Hazard Area Approval |
|-------------|---|----------------------|
| 093-0427 | 7200 Plus - 2 Channel, NEMA 4X, 4-20 mA Input Board, Audible Alarm | Ordinary Location |
| 093-0428 | 7200 Plus - 2 Channel, NEMA 4X, Direct CatBead Input Board, Audible Alarm | Ordinary Location |
| 093-0620 | 7200 Plus - 2 Channel, NEMA 4X, 4-20 mA Input Board, Alarm Relay Board, Audible Alarm | Ordinary Location |
| 093-0616 | 7200 Plus - 2 Channel, NEMA 4X, 4-20 mA Input Board | CSA |
| 093-0617 | 7200 Plus - 2 Channel, NEMA 4X, Direct Catbead Input Board | CSA |
| 093-0429 | 7200 Plus - 2 Channel, NEMA 7, 4-20 mA Input Board | CSA |
| 093-0430 | 7200 Plus - 2 Channel, NEMA 7, Direct CatBead Input Board | CSA |

Complete 7400 Plus Controller

| Part Number | Description | Hazard Area Approval |
|-------------|--|----------------------|
| 093-0455 | 7400 Plus - 4 Channel, NEMA 4X, Direct CatBead Input Board, Alarm Relay Board, Audible Alarm | Ordinary Location |
| 093-0456 | 7400 Plus - 4 Channel, NEMA 4X, Direct CatBead Input Board, Audible Alarm | Ordinary Location |
| 093-0457 | 7400 Plus - 4 Channel, NEMA 4X, 4-20 mA Input Board, Alarm Relay Board, Audible Alarm | Ordinary Location |
| 093-0458 | 7400 Plus - 4 Channel, NEMA 4X, 4-20 mA Input Board, Audible Alarm | Ordinary Location |
| 093-0618 | 7400 Plus - 4 Channel, NEMA 4X, Direct Catbead Input Board | CSA |
| 093-0619 | 7400 Plus - 4 Channel, NEMA 4X, 4-20 mA Input Board | CSA |
| 093-0459 | 7400 Plus - 4 Channel, NEMA 7, Direct CatBead Input Board, Alarm Relay Board | CSA |
| 093-0460 | 7400 Plus - 4 Channel, NEMA 7, Direct CatBead Input Board | CSA |
| 093-0461 | 7400 Plus - 4 Channel, NEMA 7, 4-20 mA Input Board, Alarm Relay Board | CSA |
| 093-0462 | 7400 Plus - 4 Channel, NEMA 7, 4-20 mA Input Board | CSA |

Teledyne Gas & Flame Detection quality assurance programmes demand the continuous assessment and improvement of all our products. Information in this leaflet could thus change without notification and does not constitute a product specification. For more information, please contact us or your company representative.



AMERICAS
35 Inverness Drive East
Englewood, CO 80112
Tel: +1-626-934-1672

EMEA
Inchinnan Business Park
Renfrew, PA4 9RG
Scotland, UK
Tel.: +44 (0) 141 812 3211

ASIA PACIFIC
290 Guiqiao Road
Pudong, Shanghai 201206
People's Republic of China
Tel.: +86-21-3127-6373