

Quick installation and start-up guide

FENA-21 Ethernet adapter module

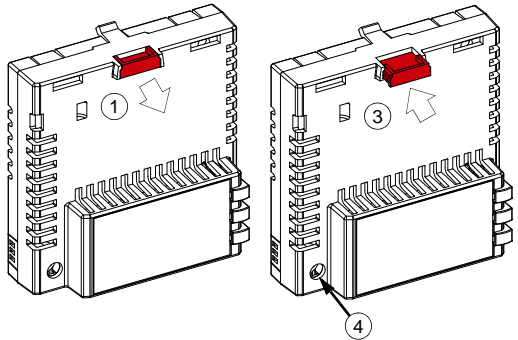
Safety instructions



WARNING! Obey the safety instructions. If you ignore them, injury or death, or damage to the equipment can occur. See the user's manual.

Mechanical installation

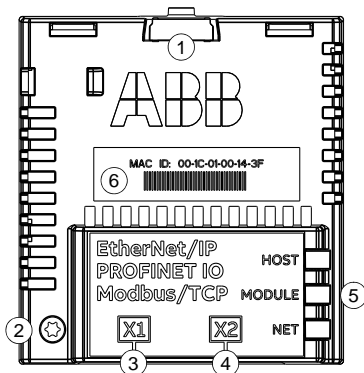
1. Pull out the lock.
2. Install the module carefully to an option module slot of the drive. See the drive hardware manual.
3. Push in the lock.
4. Tighten the screw to torque 0.8 N·m using a Torx TX10 screwdriver.



WARNING! Do not use excessive force, or leave the screw too loose. Over-tightening can damage the screw or module. A loose screw decreases the EMC performance, and can even cause an operation failure.

Electrical installation

Layout of the module



No.	Description
1	Lock
2	Mounting and grounding screw
3	RJ-45 connector [X1] to Ethernet
4	RJ-45 connector [X2] for chaining another module
5	Diagnostic LEDs
6	MAC ID

Start-up

When the module is connected to the drive, the drive control program sets the applicable parameters. See the appropriate drive manual.

Basic parameter settings

Index	Name	Value
20.01	Ext1 commands	Fieldbus A
22.11	Speed ref1 source	FBA A ref 1
28.11	Frequency ref1 source	FBA A ref 1
50.01	FBA A enable	Enable (or select the option slot in which the module is installed). This activates the communication module. The HOST LED becomes green.
50.02	FBA A comm loss func	Fault

Protocol-specific parameter settings

PROFINET IO

Index	Name	Value
51.02	Protocol/Profile	PNIO ABB Pro
51.04	IP configuration	Static IP
51.05...08	IP address	0.0.0.0
51.09	Subnet CIDR	0
52.01	FBA A data in1	SW 16bit
52.02	FBA A data in2	Act 16bit
53.01	FBA A data out1	CW 16bit
53.02	FBA A data out2	Ref1 16bit

Ethernet/IP

Index	Name	Value
51.02	Protocol/Profile	EIP AC/DC
51.04	IP configuration	Set the IP address
51.05...08	IP address	according your network configuration.
51.09	Subnet CIDR	
51.23	Speed scale	128

Modbus/TCP

Index	Name	Value
51.02	Protocol/Profile	Modbus/TCP
51.04	IP configuration	Set the IP address
51.05...08	IP address	according your network configuration.
51.09	Subnet CIDR	

Connectivity configuration

To access the configuration web page:

1. Open a web browser and type the IP address of the adapter module in the address field.
2. Log in with a user name (*admin*) and a password (The last six digits of the MAC address of the adapter module, in upper case letters, without hyphens. Eg, if MAC ID is 00-1C-01-00-2F-73, the password is *002F73*).

To take the settings into use, validate and refresh the parameters with parameter *51.27 FBA par refresh*.

Further information

See the latest version of *FENA-01/-11/-21 Ethernet adapter module user's manual* (3AUA0000093568 [English]) in ABB library (www.abb.com/drives/documents).

For more information on fieldbus options and protocols provided by ABB Drives, see the fieldbus communications web page (new.abb.com/drives/connectivity/fieldbus-connectivity).



[FENA-01/-11/-21 manual](#)



3AXD50000158522A

3AXD50000158522 Rev A (EN) 2017-11-23



[Fieldbus communications web page](#)