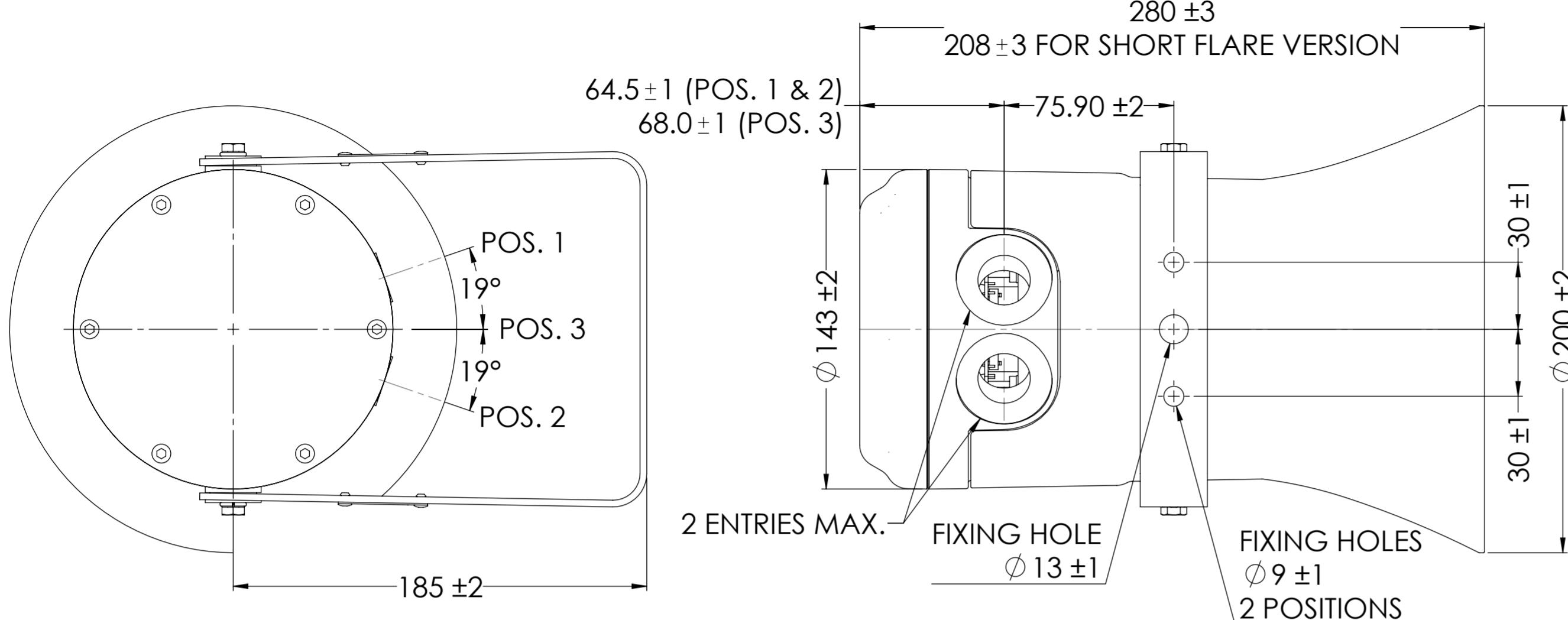
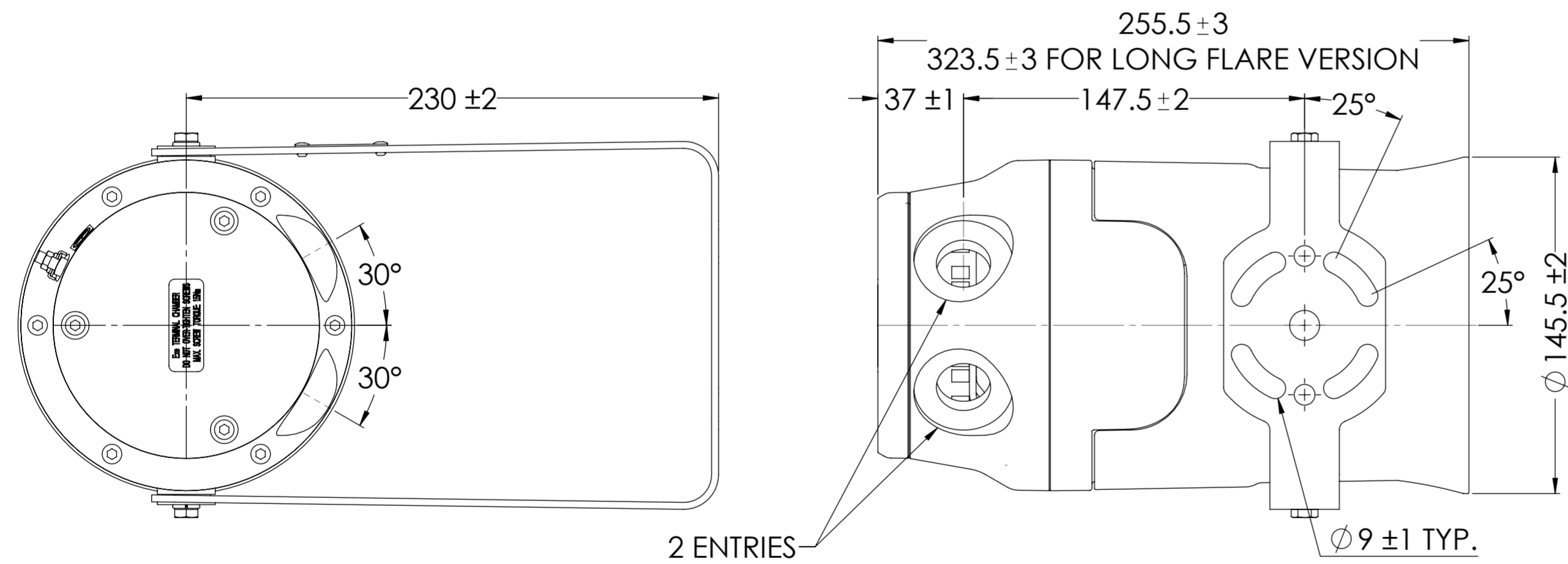


**Ex d LONG FLARE VERSION
WITH STANDARD STIRRUP**



**Ex de SHORT FLARE VERSION
WITH OPTIONAL SWIVEL STIRRUP**



ALL DIMENSIONS ARE COMMON TO ALL UNIT VARIATIONS UNLESS OTHERWISE STATED

NOTES:

- 1/ UNIT TYPE: DB3B SOUNDER
- 2/ CERTIFICATION:
 - ATEX Ex d Gas:** Cert. no. Baseefa13ATEX0229X.
Ex II 2 G Ex d IIC T4/T5/T6 Gb.
 - ATEX Ex d Gas & Dust:** Cert. no. Baseefa13ATEX0231X.
Ex II 2 GD Ex d IIC T4/T5/T6 Gb
Ex tb IIIC T135°C/T100°C/T85°C Db IP66.
 - ATEX Ex de Gas:** Cert. no. Baseefa13ATEX0232X.
Ex II 2 G Ex de IIC T4/T5/T6 Gb.
 - ATEX Ex de Gas & Dust:** Cert. no. Baseefa13ATEX0233X.
Ex II 2 GD, Ex de IIC T4/T5/T6 Gb
Ex tb IIIC T135°C/T100°C/T85°C Db IP66.
 - IECEX Ex d Gas:** Cert. no. IECEX BAS 13.0112X.
Ex d IIC T4/T5/T6 Gb.
 - IECEX Ex d Gas & Dust:** Cert. no. IECEX BAS 13.0113X.
Ex d IIC T4/T5/T6 Gb
Ex tb IIIC T135°C/T100°C/T85°C Db IP66.
 - IECEX Ex de Gas:** Cert. no. IECEX BAS 13.0114X.
Ex de IIC T4/T5/T6 Gb.
 - IECEX Ex de Gas & Dust:** Cert. no. IECEX BAS 13.0115X.
Ex de IIC T4/T5/T6 Gb
Ex tb IIIC T135°C/T100°C/T85°C Db IP66
- 3/ AMBIENT TEMPERATURE RANGE AND T-RATINGS:
 - Ex d UNITS: T4/T135°C (-55°C TO +70°C)
T5/T100°C (-55°C TO +55°C)
T6/T85°C (-55°C TO +40°C)
 - Ex de UNITS: T4/T135°C (-50°C TO +70°C)
T5/T100°C (-50°C TO +55°C)
T6/T85°C (-50°C TO +40°C)
- 4/ WEIGHT: - Ex d UNITS - DC: 4.6Kg, AC:5.0Kg
Ex de UNITS - DC: 5.4Kg, AC 5.8Kg
- 5/ ENCLOSURE AND COVER MATERIAL: GLASS REINFORCED POLYESTER
- 6/ MAIN FLARE MATERIAL: FLAME RETARDANT THERMOPLASTIC POLYESTER
- 7/ STIRRUP AND COVER FIXINGS: STAINLESS STEEL GRADE 316
- 8/ OPTIONAL DUTY/TAG LABELS, LETTER SIZE 5mm MAX.
- 9/ Exd UNIT TERMINALS ARE SUITABLE FOR UP TO 2.5mm² MAX.
- 10/ CABLE ENTRIES: UP TO 2xM20 OR 2x1/2" NPT IN POSITIONS SHOWN.

FOR UNITS WITH 2 ENTRIES, POSITIONS 1 AND 2 ARE USED. FOR UNITS WITH A SINGLE ENTRY, POSITION 3 IS USED.

BLANKING PLUGS ARE AVAILABLE.

Ex de UNITS ARE SUPPLIED WITH 2xM20 ENTRIES ONLY, WITH OR WITHOUT A BLANKING PLUG

ISSUES

GENERAL TOLERANCES UOS
LINEAR: ±0.25
ANGULAR: ±0.5°
SURFACE FINISH: $\sqrt{32}$

ALL DIMENSIONS ARE IN MILLIMETRES UNLESS OTHERWISE STATED
REMOVE ALL BURRS AND SHARP CORNERS
MACHINE SYMBOLS THUS $\sqrt{}$

THIS DRAWING IS CONFIDENTIAL AND IS THE PROPERTY OF MEDC AND MUST NOT BE REPRODUCED EITHER WHOLLY OR PARTLY. ALL RIGHTS IN RESPECT OF PATENTS, DESIGNS AND COPYRIGHT ARE RESERVED

MEDC		MEDC Ltd, Colliery Road, Pinxton Nottingham, NG16 6JF, U.K. Tel: +44 (0)1773 864100 Fax: +44(0)1773 582800 e-mail: info@medc.com web:www.medc.com		DESIGNERS & MANUFACTURERS OF ELECTRICAL & ELECTRONIC EQUIPMENT & SYSTEMS FOR HAZARDOUS AREAS	
DRAWN BY:	P.FISHWICK	DATE:	12-02-2014	TITLE:	DB3B SOUNDER ATEX/IECEX CUSTOMER GA
CHECKED BY:	D.COATES	DATE:	14/02/2014	DWG NO.	419-184
APPROVED BY:	P.FISHWICK	DATE:	14/02/2014	REVISION	A
SCALE:	1:2	SIZE:	A2		

SHT 1 OF 1