

LOW VOLTAGE AC DRIVES

Flange mounting

ACS880 drives, 0.55 to 1200 kW



Flange (push through) mounting is designed for outdoor cabinet and harsh environment installations where dust and other impurities are present. It enables simplified and cost-efficient cabinet installation by reducing the need for cooling inside the cabinet.

Optimized for harsh environments

Protection against dust and water

In flange mounting, the drive is installed from a flange onto a cabinet wall so that the heatsink is outside the cabinet, and the air flow through the drive control section and heatsink are separated. The flange and heatsink are protected against dust and low-pressure water with IP55-class protection, making the installation suitable for harsh environments.

Simplified cabinet design

As only the control section is inside the cabinet, less heat is generated within the cabinet. With the reduced need for cooling air, smaller fans or heat exchanger units can be used. Flange mounting simplifies cabinet design and helps to build robust cabinets with smaller installation footprints and lower investment costs.

Savings on air conditioning

The drive can be installed with the heatsink in a cooling air channel to direct the majority of the heat generated by the drive out of the electrical room. Investments in air-conditioning systems and their operating costs are cut, as the need for cooling is substantially reduced.

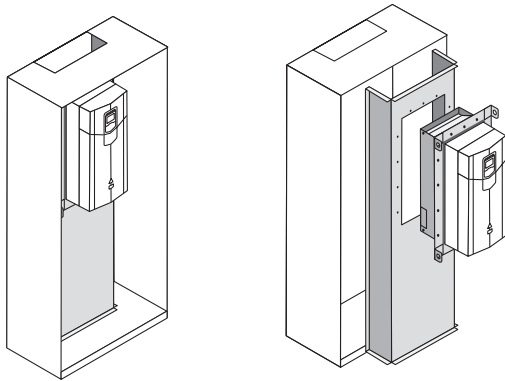
Minimized need for maintenance

Since the heat generation inside the cabinet is low, smaller air circulation inlets, outlets and associated filters can be used. Reduced air circulation results in longer filter maintenance intervals.



Technical data

ACS880-01 wall-mounted drives	
Power range	0.55 to 250 kW
Voltage range	230 to 690 V
ACS880-04F drive modules	
Power range	200 to 710 kW
Voltage range	380 to 690 V
ACS880-04FXT drive module packages (2 × R11 ACS880-04F modules connected in parallel)	
Power range	400 to 1200 kW
Voltage range	380 to 690 V
ACS880-11 wall-mounted regenerative drives	
Power range	2.2 to 110 kW
Voltage range	380 to 500 V
ACS880-31 wall-mounted ultra-low harmonic drives	
Power range	2.2 to 110 kW
Voltage range	380 to 500 V
Enclosure	
Enclosure class	Flange and heatsink: IP55 Control section: IP20



Frame	R1	R2	R3 ¹⁾	R3 ²⁾	R4	R5	R6 ¹⁾	R6 ²⁾	R7	R8 ¹⁾	R8 ²⁾	R9	R11
Power, kW	0.55-5.5	2.2-11	4-22	2.2-11	7.5-30	15-45	22-75	11-45	37-110	55-160	45-110	160-250	200-710
Flange opening height	385	385	435	520	535	645	595	770	647	727	992	727	1560
Flange opening width	180	180	195	229	230	230	298	278	330	346	326	425	555
Flange height	459	459	509	614	618	728	672	852	722	814	1102	804	1647
Flange width	271	271	290	323	327	327	374	374	406	434	433	462	620
Total depth	274	293	306	407	340	373	364	380	364	386	429	413	449
Control section depth	145	148	146	184	191	199	194	189	195	202	205	204	221
Heatsink depth	129	145	160	223	150	175	170	191	169	184	224	209	228
Total height	459	459	509	614	618	728	672	852	722	814	1102	804	1680

Measurements are in mm

¹⁾ Measurements for ACS880-01

²⁾ Measurements for ACS880-11/31

Key features

For harsh environments

Flange and heatsink have an IP55 (NEMA 12) rating.

Optimized for cabinet assembly

The compact ACS880 has built-in EMC filters, chokes and braking choppers to simplify cabinet design and to enable easy installation.

Reduced need for cooling air

Improved system reliability and lower total cost through lower heat load in the cabinet

Possibility to connect to a cooling air channel

Possibility for back channel cooling

Available for regenerative and ultra-low harmonic drive variants

Reduced maintenance intervals of cabinet filters

For more information please contact your local ABB representative or visit:

abb.com/drives

abb.com/drivespartners

We reserve the right to make technical changes or modify the contents of this document without prior notice. With regard to purchase orders, the agreed particulars shall prevail. ABB does not accept any responsibility whatsoever for potential errors or possible lack of information in this document.

We reserve all rights in this document and in the subject matter and illustrations contained therein. Any reproduction, disclosure to third parties or utilization of its contents – in whole or in parts – is forbidden without prior written consent of ABB. Copyright© 2020 ABB. All rights reserved.