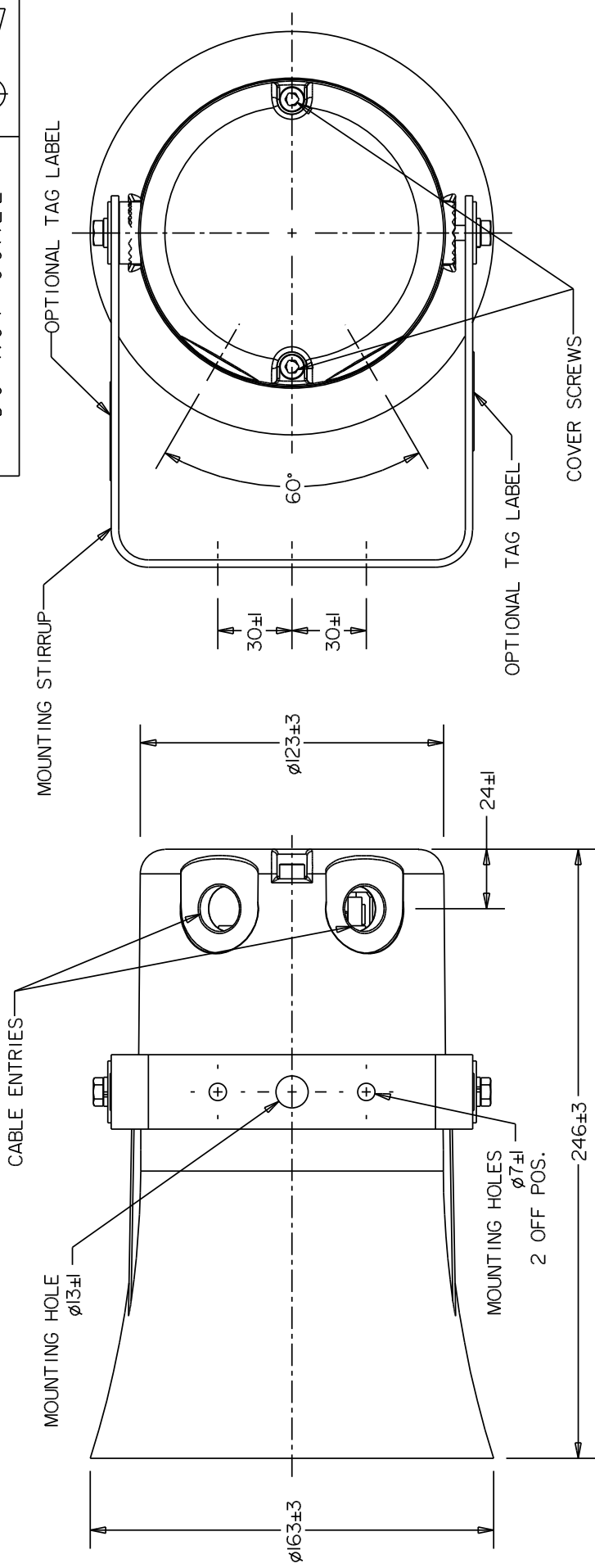
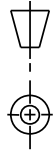


DO NOT SCALE



1. TYPE: 15W LOUDSPEAKER
2. AMBIENT TEMPERATURE: -55°C TO $+55^\circ\text{C}$
3. WEIGHT: $2.6\text{KG} \pm 0.3$
4. MATERIAL: GRP BODY & STAINLESS STEEL FIXINGS
5. TAG LABEL LETTER SIZE: 5 MAX.
6. TERMINALS: $8 \times 2.5\text{mm}^2$
7. CABLE ENTRIES: MAX. 2 OFF M20
8. OPTIONS: PAINT FINISH



MEDC Ltd, Colliery Road, Pinxton
 Nottingham NG16 6JF, U.K.
 Tel: +44 (0)1773 864100
 Fax: +44 (0)1773 582800
 e-mail: info@medc.com web: www.medc.com

DESIGNERS & MANUFACTURERS
 OF ELECTRICAL & ELECTRONIC
 EQUIPMENT & SYSTEMS FOR
 HAZARDOUS AREAS

| | | | | |
|--------|---|------------------------------------|----------------|----------------------|
| ISSUES | THIS DRAWING IS CONFIDENTIAL AND IS THE PROPERTY OF MEDC AND MUST NOT BE REPRODUCED EITHER WHOLLY OR PARTLY. ALL RIGHTS IN RESPECT OF PATENTS, DESIGNS AND COPYRIGHT ARE RESERVED | | DATE: 03/07/02 | TITLE |
| | ALL DIMENSIONS ARE IN MILLIMETRES UNLESS OTHERWISE STATED | REMOVE ALL BURRS AND SHARP CORNERS | DATE: 04/07/02 | STANDARD CUSTOMER GA |
| | MACHINE SYMBOLS THIS <input checked="" type="checkbox"/> | | DATE: 04/07/02 | DB18 LOUDSPEAKER |
| | | | DATE: 04/07/02 | DRG No. 275-109 |
| | | SCALE: 2:5 | SIZE: A4 | ISSUE A |