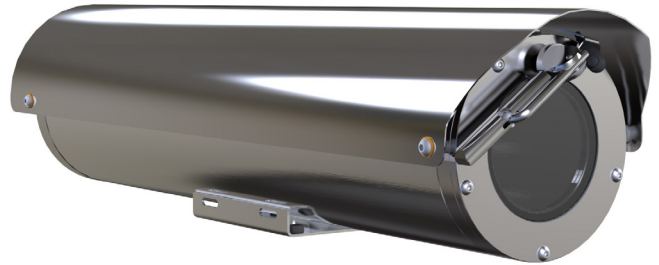


# SF60 HD IP series - UL range

Fixed camera station,  
ordinary location



## Overview

The Oxalis SF60 is a fixed camera housing for use in onshore, offshore, marine and heavy industrial environments. The large format housing allows the installation of customised equipment (subject to conformity).

The camera housings are designed specifically for the Americas markets or where UL ordinary location standards have been specified and as a result they utilise NPT entries as standard to maximise compatibility with existing installations.

Our camera stations are designed and manufactured for longevity in harsh environments, require minimal maintenance and are fully certified to UL standards.

See separate datasheets for other global certification ranges.

## Features

- Electro-polished 316L stainless steel on all welded assemblies
- Camera station window in toughened glass
- Pole or wall mounting options (see separate datasheets)
- NPT entries as standard
- Various camera module options
- Options also available for IP, analogue, hybrid, IP over Coax and direct fibre out\* - see specific datasheet
- Supply voltage options (24 VAC, 110 or 230 VAC, 50/60Hz)
- -58°F to +158°F\* operating temperature
- IP66/67

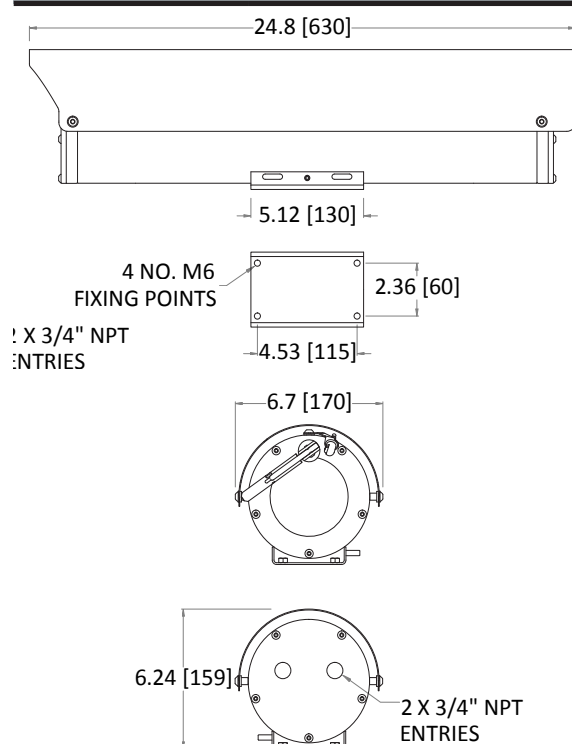
\*Model dependent

## Specification

<b>Features</b>	
<b>Sun shield</b>	Standard stainless steel 316L mirror finish
<b>Integral wiper</b>	Optional (silicone wiper blades that are resistant and do not perish after long exposure to ozone, UV, ice, snow, heat or cold)
<b>Integral demister</b>	Standard
<b>Washer systems</b>	Compatible with Oxalis SW washer tanks (see separate datasheets)
<b>Telemetry receiver</b>	Integral - Pelco D standard protocol (others to specification)
<b>IP direct fibre out</b>	Optional integrated media converter, Simplex Singlemode 9/125µm or Multimode 50/125µm, 10/100Mb Ethernet, IEEE 802.3
<b>IP over coax</b>	Optional integrated IP ethernet-over-coax converter (must be used with compatible Rx equipment)
<b>Type approval</b>	DNVGL-CG-0339, 2016 (copper transmission only)
<b>Ingress protection rating</b>	IP66/67
<b>Electrical</b>	
<b>Supply voltage options</b>	24 VAC, 110 or 230 VAC, 50/60Hz
<b>Power consumption</b>	37W maximum (65W with low temperature operation)
<b>Electrical connections</b>	Terminal block for power, data and video specific to camera configuration
<b>Cable entry</b>	2 x ¾" NPT located in rear flange
<b>Mechanical</b>	
<b>Body material</b>	Electro-polished 316L stainless steel on all welded assemblies
<b>Fixings material</b>	A4 stainless steel
<b>Camera station window</b>	Toughened glass
<b>Mounting options</b>	Pole or wall (see separate datasheets)
<b>Operating temperature</b>	From -58°F to +158°F (model dependent)
<b>Weight (lb)</b>	Up to 29lb depending on configuration

30x zoom HD IP camera	20x zoom HD IP camera
<b>Image sensor</b>	<b>Image sensor</b>
1/2.8" Exmor CMOS	Progressive scan CMOS 1/2.8"
<b>Resolution</b>	<b>Resolution</b>
1920x1080 @60fps to 352x240	1920x1080 30fps
<b>Lens</b>	<b>Lens</b>
30x zoom 4.3-129 mm F1.6 to F4.7, horizontal angle of view 67.7° - 2.3°, 12X digital zoom, auto focus, auto iris	20x zoom 4.7-94mm F1.6 to F3.5, angle of view 61.4° - 2.9°, 10X digital zoom, auto focus, auto Iris
<b>Min. illumination</b>	<b>Min. illumination</b>
Colour ICR-Off: 0.35 Lux (1/30 Sec, 50IRE) 0.05 Lux (1/4 sec, 1/3 sec, 50IRE) B/W ICR-On: 0.013 lx (1/30 sec, 50IRE) 0.002 lx (1/4 sec, 1/3 sec, 30IRE)	Color: 0.05Lux @ (F1.6, AGC ON) B/W: 0.01Lux @ (F1.6, AGC ON)
<b>Streaming</b>	<b>Streaming</b>
Primary: H.264, secondary x3: H.264/MJPEG, VBR/CBR	Dual streams in H.264 and motion JPEG, VBR/CBR
<b>Features</b>	<b>Features</b>
AGC, AE, AWB, TDN, DNR, BLC, ACCE, DSS, WDR, EIS, defog, OSD	BLC, AGC, AWB, WDR, DNR, OSD, day & night auto/colour / BW (IR-Cut filter removable)
<b>Standards protocols</b>	<b>Standards protocols</b>
ONVIF Profile S, PSIA - IPv4/6, TCP, UDP, HTTP, HTTPS, IGMP(Multicast), DHCP, FTP, RTP, RTSP, SNMP, SMTP, UPnP, DDNS, WS-Discovery, zero configuration	ONVIF Profile S, PSIA, CGI - TCP/IP, HTTP, DHCP, DNS, DDNS, RTP, RTSP, PPPoE, SMTP, NTP, UPnP, SNMP, FTP, 802.1x, QoS, HTTPS, IPv6
18x zoom HD IP camera	32x zoom HD IP camera
<b>Image sensor</b>	<b>Image sensor</b>
Progressive scan RGB CMOS 1/2.9"	Progressive scan CMOS 1/2.8"
<b>Resolution</b>	<b>Resolution</b>
1920x1080 (HDTV 1080p) to 320x180	Resolution: 1920x1080 @60fps to 320x180
<b>Lens</b>	<b>Lens</b>
18x zoom 4.7-84.6 mm F1.6 to F2.8, angle of view 59° - 4°, 12X digital zoom, auto focus, auto iris	32x optical 16x digital zoom 4.44-142.6 mm F1.6 to F4.4, horizontal angle of view 62.8° - 2.23°
<b>Min. illumination</b>	<b>Min. illumination</b>
Color: 0.5 lux at 30 IRE F1.6, B/W: 0.04 lux at 30 IRE F1.6	Colour : 0.3Lux (1/30sec, F1.6, 50IRE), B/W : 0.03Lux (1/30sec, F1.6, 50IRE)
<b>Streaming</b>	<b>Streaming</b>
Multiple, individually configurable streams in H.264 and motion JPEG, VBR/CBR	H.264, MJPEG dual codec, multiple streaming, VBR/CBR
<b>Features</b>	<b>Features</b>
BLC, AGC, AWB, WDR, OSD, day & night auto/colour / BW (IR-Cut filter removable)	Intelligent video analytics, motion detection, day & night (ICR), WDR (120dB), auto focus, auto Iris, AGC, SSSDR, ATW, SSNR III, BLC, DIS, Defog
<b>Standards protocols</b>	<b>Standards protocols</b>
ONVIF Profile S, IPv4/v6, HTTP, HTTPS, SSL/TLS, QoS Layer 3 DiffServ, FTP, CIFS/SMB, SMTP, Bonjour, UPnP, SNMPv1/v2c/v3 (MIB-II), DNS, DynDNS, NTP, RTSP, RTP, TCP, UDP, IGMP, RTCP, ICMP, DHCP, ARP, SOCKS	ONVIF Profile S, TCP/IP, UDP/IP, RTP(UDP), RTP(TCP), RTCP, RTSP, NTP, HTTP, HTTPS, SSL, DHCP, FTP, SMTP, ICMP, IGMP, SNMPv1/v2c/v3(MIB-2), ARP, DNS, DDNS, QoS, PIM-SM, UPnP, Bonjour
30x zoom 2.1MP network camera	
<b>Image Sensor</b>	Progressive scan CMOS 1/2.8"
<b>Resolution</b>	1920x1080 30fps
<b>Lens</b>	30x zoom 4.3-129mm F1.6 to F5.05, Angle of View 65.1° - 2.34°, 10X digital zoom, Auto Focus, Auto Iris
<b>Min. Illumination</b>	Color: 0.05Lux @ (F1.6, AGC ON) B/W: 0.01Lux @ (F1.6, AGC ON)
<b>Streaming</b>	Dual streams in H.264 and Motion JPEG, VBR/CBR
<b>Features</b>	BLC, AGC, AWB, WDR, DNR, OSD, Day & Night Auto/Colour / BW (IR-Cut Filter Removable)
<b>Standards Protocols</b>	ONVIF, PSIA, CGI - TCP/IP, HTTP, DHCP, DNS, DDNS, RTP, RTSP, SMTP, NTP, UPnP, SNMP, FTP, 802.1x, QoS, HTTPS, IPv6

## General arrangement drawing (dimensions in inches and mm)



# Ordering requirements

The following code is designed to help in selection of the correct unit. Build up the reference number by inserting the code for each component into the appropriate box

