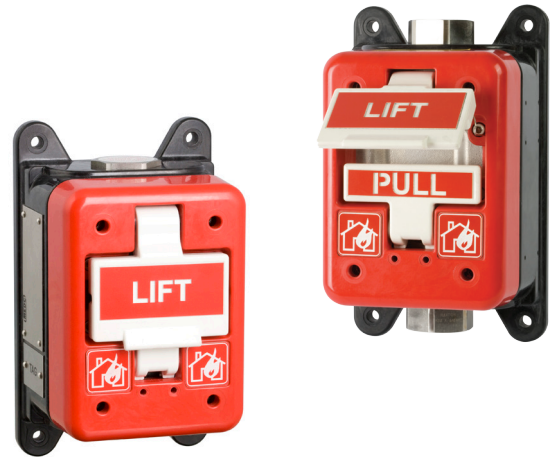


PH1 range pull handle call point

Ex d, UL hazardous & ordinary locations



Overview

The PH1 double action pull handle call point has been designed for use in flammable atmospheres and harsh environmental conditions.

The GRP enclosure is suitable for use offshore or onshore where light weight combined with a high level of corrosion resistance is required.

The large "Lift" and "Pull" GRP handles can be operated effortlessly whilst wearing industrial gloves and require double action to raise the alarm, preventing accidental activation.

Features

- Zone 1 and Zone 2 use
 - UL Listed for:
 - Hazardous locations
 - Class I, Division 1. Groups B, C & D
 - Class I, Division 2. Groups A-D
 - Zone 1
 - Ordinary locations: fire alarm boxes
 - Ex d IIC T6 Gb
 - Ex tb IIIC T85°C Db
 - IECEx certified Gb, Db
 - ATEX certified Ex II 2 GD
 - NEMA 4X & 6. IP66 & IP67
 - SIL 1 certified
 - Certified temperature from -55°C to +70°C*
 - Corrosion free GRP construction*
 - Optional in line, end of line resistors and diodes
 - Retained stainless steel cover screws
- *Model dependent

ATEX IECEx c  us SIL

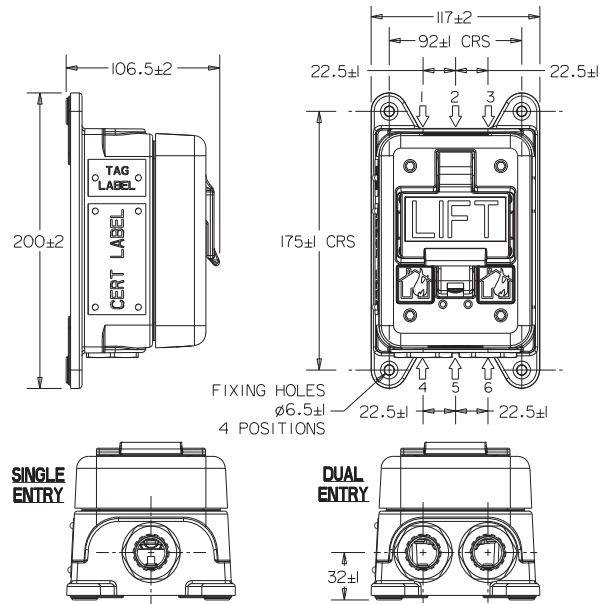
Certifications

UL Haz Locs	UL listed for USA and Canada Listing no. E186629 Class I, Div. 1. Groups B, C & D Class I, Div. 2. Groups A- D Class I, Zone 1, AEx d IIC, Ex d IIC Class II, Div.2, Groups F & G Class III
UL Ord Locs	UL Listing no. S8117. Fire alarm boxes UL for USA and Canada
IECEX Ex d	Cert. no. IECEx ITS.11.0021X Certified to: IEC60079-0, IEC60079-1, IEC60079-31 Ex d IIC T6 Gb, Ex tb IIIC T85°C Db. IP66
ATEX Ex d	Cert. no. ITS11ATEX17308X Certified to: EN60079-0, EN60079-1, EN60079-31 Ex II 2 GD, Ex d IIC T6 Gb, Ex tb IIIC T85°C Db. IP66
SIL	SIL 1 certification to IEC 61508. Cert number: Sira FSP 19005

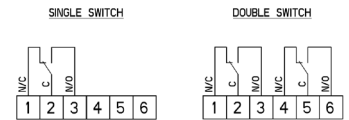
Specifications

Material	Body/covers/handles: GRP (glass reinforced polyester) UL Class I, Div. 1 inner cover: 316 (ANC4B) stainless steel Fixings: stainless steel grade 316
Finish	Cover: natural red Body: natural black Handles: natural white Cover may be painted to customer's requirements
Voltage	0-50Vdc, 0-254Vac
Switch rating	1 or 2 c/o switches, 254V, 3A max
Weight	UL Class I, Div 2, ATEX, IECEx & UW: Gross weight 3.2Kg Net weight 2.6Kg UL Class I, Div. 1: Gross weight 4.4 Kg. Net weight 3.8Kg
Certified temp	ATEX & IECEx: -55°C to +70°C UL Class I, Divs. 1 & 2, UW: -50°C to +70°C
Ingress protection	NEMA 4X & 6. IP66 & IP67
Entries	UL Class I, Div. 1 - Max 1 per face. Up to 2 x 1/2" NPT or 3/4" NPT Positions 2 & 5 only. UL Class I, Div. 2, UW: Up to 2 x 1/2" or 3/4" NPT Max. 1 per face & positions 2 & 5 only ATEX, IECEx - Max 2 per face. Up to 2 x M20 or M25, up to 2 x 1/2" or 3/4" NPT
Terminals	6 x 2.5mm ² as standard (Contact MEDC for options)
Earth continuity	Earth continuity is provided by internal plate
Duty labels	'Burning house' label fitted as standard on red units Red blank duty label fitted as standard on all other colour units, unless text is supplied by customer
Tag label	Worded to customers requirements
Resistors	Various configurations available, 470 Ohms minimum
Diodes	Various configurations available

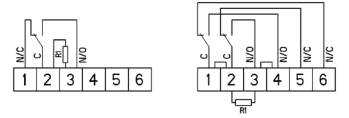
General arrangement drawing (all dimensions in mm)



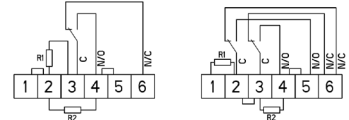
Standard wiring - switch only



Standard wiring - c/w EOL resistor
R1 - EOL resistor



Standard wiring - c/w series resistor or series & EOL resistor
R1 - series resistor
R2 - EOL resistor (if fitted)



Ordering requirements

The following code is designed to help in selection of the correct unit. Build up the reference number by inserting the code for each component into the appropriate box

Model	Certification	Entries	Switches	Options	Finish																																																						
PH1																																																											
	<table border="1"> <thead> <tr> <th>Certification</th> <th>Code</th> </tr> </thead> <tbody> <tr> <td>UL Class I, Div.1</td> <td>UL1</td> </tr> <tr> <td>UL Class I, Div.2</td> <td>UL2</td> </tr> <tr> <td>UL Ord. Loc</td> <td>UW</td> </tr> <tr> <td>ATEX</td> <td>B</td> </tr> <tr> <td>IECEX</td> <td>J</td> </tr> <tr> <td>Weatherproof</td> <td>W</td> </tr> </tbody> </table>	Certification	Code	UL Class I, Div.1	UL1	UL Class I, Div.2	UL2	UL Ord. Loc	UW	ATEX	B	IECEX	J	Weatherproof	W	<table border="1"> <thead> <tr> <th>Entries</th> <th>Code</th> </tr> </thead> <tbody> <tr> <td>M20</td> <td>*B</td> </tr> <tr> <td>M25</td> <td>*C</td> </tr> <tr> <td>1/2" NPT</td> <td>*M</td> </tr> <tr> <td>3/4" NPT</td> <td>*N</td> </tr> </tbody> </table>	Entries	Code	M20	*B	M25	*C	1/2" NPT	*M	3/4" NPT	*N	<table border="1"> <thead> <tr> <th>Switches</th> <th>Code</th> </tr> </thead> <tbody> <tr> <td>Single changeover</td> <td>S</td> </tr> <tr> <td>Double changeover</td> <td>D</td> </tr> </tbody> </table>	Switches	Code	Single changeover	S	Double changeover	D	<table border="1"> <thead> <tr> <th>Option</th> <th>Code</th> </tr> </thead> <tbody> <tr> <td>None</td> <td>N</td> </tr> <tr> <td>Series resistor</td> <td>G*</td> </tr> <tr> <td>EOL resistor</td> <td>H*</td> </tr> <tr> <td>Diode</td> <td>E*</td> </tr> <tr> <td>Tag label</td> <td>T*</td> </tr> <tr> <td>Custom duty label</td> <td>D*†</td> </tr> </tbody> </table>	Option	Code	None	N	Series resistor	G*	EOL resistor	H*	Diode	E*	Tag label	T*	Custom duty label	D*†	<table border="1"> <thead> <tr> <th>Finish</th> <th>Code</th> </tr> </thead> <tbody> <tr> <td>Natural black</td> <td>N</td> </tr> <tr> <td>Blue</td> <td>B</td> </tr> <tr> <td>Yellow</td> <td>Y</td> </tr> <tr> <td>Special</td> <td>S*</td> </tr> </tbody> </table>	Finish	Code	Natural black	N	Blue	B	Yellow	Y	Special	S*
Certification	Code																																																										
UL Class I, Div.1	UL1																																																										
UL Class I, Div.2	UL2																																																										
UL Ord. Loc	UW																																																										
ATEX	B																																																										
IECEX	J																																																										
Weatherproof	W																																																										
Entries	Code																																																										
M20	*B																																																										
M25	*C																																																										
1/2" NPT	*M																																																										
3/4" NPT	*N																																																										
Switches	Code																																																										
Single changeover	S																																																										
Double changeover	D																																																										
Option	Code																																																										
None	N																																																										
Series resistor	G*																																																										
EOL resistor	H*																																																										
Diode	E*																																																										
Tag label	T*																																																										
Custom duty label	D*†																																																										
Finish	Code																																																										
Natural black	N																																																										
Blue	B																																																										
Yellow	Y																																																										
Special	S*																																																										

*Prefix entry size with entry position (see diagram above)
E.g. 4B6B. Maximum 2 Entries

†UL Class 1, Div. 1 - Max 1 per face
Up to 2x 1/2" NPT or 3/4" NPT
Positions 2 & 5 only
UW: Up to 2 x 1/2" or 3/4" NPT
3/4" NPT, Max. 1 per face & positions 2 & 5 only

*Please specify
†Only select if non standard option is required

NOTE: the units can be internally wired to suit customers specifications
Please discuss your requirements with us