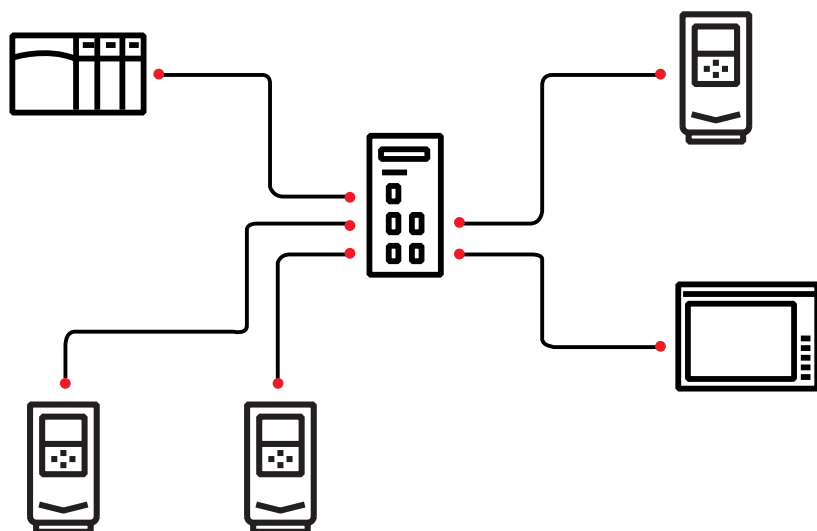


# ACS380 machinery drive

## Compact connectivity



Designed to seamlessly integrate into automation systems the ACS380 machinery drive offers flexibility and functionality for all your network needs in one universally compact package.

### Flexibility

A fully integrated system requires seamless communication between devices. We've made it easy to connect the ACS380 to all major industrial automation networks with pre-configured fieldbus, which automatically sets relevant drive parameters based on the protocol to enable programming directly from a PLC.

---

#### Pre-configured fieldbus protocols

---

PROFIBUS DP, DPV0/DPV1

---

CANopen®

---

EtherCAT®

---

Two port EtherNet/IP™, Modbus TCP, PROFINET IO

---

EtherNet/IP™, Modbus TCP, PROFINET IO

---

PowerLink

---

CANopen®

---

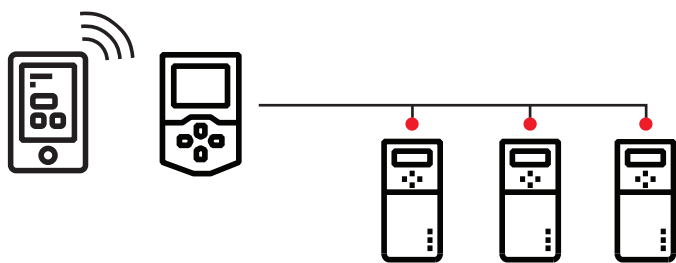
### Functionality

Achieve faster commissioning while increasing reliability, and consistent operation with the built-in, dual port Ethernet adapter w/ AOI and UDT compatibility.

Connect multiple drives to communicate from one panel, saving time and resources.

### Drivetune w/ Bluetooth

- No need to open enclosures to change parameters or gather data increases operator safety from arc flash hazard
- Eliminates the need for a ladder or lift when accessing drives up to 246ft away.
- Compatibility with both IOS and Android



### Global Support

ABB provides free 24/7/365 support for any questions, issues, or concerns that may arise. Local application experts are also available upon request. Even better, there is no contract required. You can feel assured knowing that our tech support has your back anytime day or night.

Phone: (800)-752-0696

Email: [US-drivessupport@abb.com](mailto:US-drivessupport@abb.com)



### Quick and Easy Installation

Applying ABB's Add-On Instructions and Drive Composer software options help minimize development time, streamline commissioning, and expedite trouble shooting.

### Ethernet/IP Set-Up

The ACS380 come pre-configured with:

- Fieldbus start/stop,
- Fieldbus speed reference
- Communication card enabled



To Change to Ethernet/IP:

1. Enter IP address
2. Enter subnet mask
3. Select desired Ethernet/IP profile
4. Refresh