

# X10 Maxi sounder beacon

## Weatherproof



## Overview

The X10 Maxi sounder beacon is an industrial signaling alarm, available in 4 fade resistant body colours, 6 LED beacon colours, and high and low voltage variants. It is certified to IP66 and IP69K, and verified to operate at extreme temperatures -30°C to 70°C, and is therefore suitable for use in harsh conditions where a robust industrial sounder beacon is required. The X10 Maxi sounder beacon comes with an Eaton 10 year Extended Warranty and offers up to 120 dB(A) with 102 tones, and a versatile 4 stage alarm to allow you to retrofit to an existing installation.

## Features

- Up to 120dB(A) output
- Dual IP rated to IP66 and IP69K and IK08 impact resistant.
- 10 year warranty\*\*
- 102 tones facilitates both new installations and retrofits, accommodating a wide range of Industry requirements
- 6 lens colours available, secured by salt resistant stainless steel screws
- 4 fade resistant housing colours available
- Up to 4 stage alarm, with multiple alert and control possibilities for both AC and DC variants
- Modular LED beacon capable of multiple functionality on / off; 1/2Hz (30FPM) / 1Hz (60FPM)
- Temperature range -30°C to +70°C
- Captive salt water resistant stainless steel fasteners
- M20 pre drilled threaded cable entries fitted with IP69K blanking plugs as standard
- UV stabilised polycarbonate ASA
- Low inrush current with a range of dB(A) outputs

\* Supply current range is based on variation of the supply voltage. A change in tone or volume settings will also impact the supply current.







\*\* Terms and Conditions apply

## Specifications

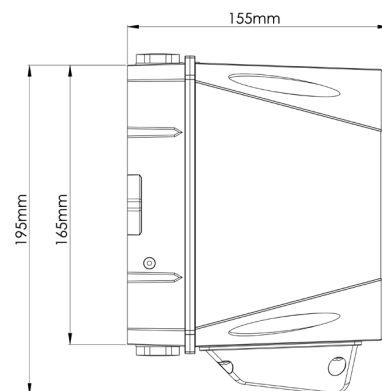
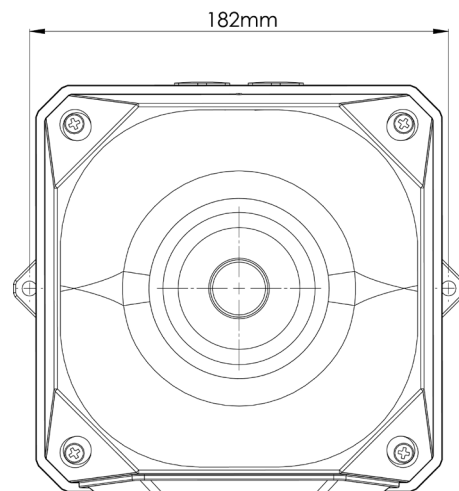
	Low voltage DC / AC product		AC Mains product	
<b>Rated voltage</b>	10V - 60V DC	10V - 30V AC	115V AC	230V AC
<b>Sounder only* (DIN Tone, High Vol)</b>	235 - 1600 mA	650 - 2720 mA	160 mA	83 mA
<b>AV* (DIN Tone, High Vol, 1Hz Flash)</b>	250 - 1725 mA	705 - 2920 mA	168 mA	87 mA
<b>Sound output</b>	120dB			
<b>Alarm tones</b>	102			
<b>Alarm stages</b>	4			
<b>Stage control options</b>	+ve low voltage trigger -ve low voltage trigger +ve supply voltage trigger -ve supply voltage trigger Reverse polarity trigger		Dry /0 volt contact trigger	
<b>Flash rate</b>	0.5Hz (30FPM) / 1Hz (60FPM) / Continuous / Off			
<b>Operating temperature</b>	-30°C to +70°C			
<b>Ingress Protection (IP) rating</b>	IP66 and IP69K (dust ingress/high pressure water jets)			
<b>Warranty</b>	10 years**			
<b>Material</b>	UV stabilised polycarbonate ASA			
<b>Colour - housing</b>	Red Dark grey (Light grey and white available on request)			
<b>Colour - beacon</b>	Red Magenta Amber Clear Blue Green			
<b>Cable entry</b>	Top: 2 x M20 threaded cable entries Bottom: 1 x M20 threaded cable entry			
<b>Connecting terminals</b>	Up to 2.5mm <sup>2</sup>			
<b>Weight</b>	2.490kg (AC Mains); 1.925kg (Low voltage DC / AC)			

## X10 Modular lenses

### Lens colours

	RL = Red lens
	AL = Amber lens
	BL = Blue lens
	GL = Green lens
	CL = Clear lens
	ML = Magenta lens

## General arrangement drawing (all dimensions in mm)



# Ordering requirements

Part number	Size	Body	Beacon part	Voltage	
FHF22551322	Maxi	Red Body	<b>Red Lens</b>	10-60 VAC-DC	Low voltage
FHF22551323	Maxi	Red Body	<b>Amber Lens</b>	10-60 VAC-DC	Low voltage
FHF22551325	Maxi	Red Body	<b>Blue Lens</b>	10-60 VAC-DC	Low voltage
FHF22551324	Maxi	Red Body	<b>Green Lens</b>	10-60 VAC-DC	Low voltage
FHF22551321	Maxi	Red Body	<b>Clear Lens</b>	10-60 VAC-DC	Low voltage
FHF22551327	Maxi	Red Body	<b>Magenta Lens</b>	10-60 VAC-DC	Low voltage
FHF22550722	Maxi	Red Body	<b>Red Lens</b>	115/230 VAC	High voltage
FHF22550723	Maxi	Red Body	<b>Amber Lens</b>	115/230 VAC	High voltage
FHF22550725	Maxi	Red Body	<b>Blue Lens</b>	115/230 VAC	High voltage
FHF22550724	Maxi	Red Body	<b>Green Lens</b>	115/230 VAC	High voltage
FHF22550721	Maxi	Red Body	<b>Clear Lens</b>	115/230 VAC	High voltage
FHF22550727	Maxi	Red Body	<b>Magenta Lens</b>	115/230 VAC	High voltage
FHF22551322	Maxi	Red Body	<b>Red Lens</b>	10-60 VAC-DC	Low voltage
FHF22551323	Maxi	Red Body	<b>Amber Lens</b>	10-60 VAC-DC	Low voltage
FHF22551325	Maxi	Red Body	<b>Blue Lens</b>	10-60 VAC-DC	Low voltage
FHF22551324	Maxi	Red Body	<b>Green Lens</b>	10-60 VAC-DC	Low voltage
FHF22551321	Maxi	Red Body	<b>Clear Lens</b>	10-60 VAC-DC	Low voltage
FHF22551327	Maxi	Red Body	<b>Magenta Lens</b>	10-60 VAC-DC	Low voltage
FHF22550722	Maxi	Red Body	<b>Red Lens</b>	115/230 VAC	High voltage
FHF22550723	Maxi	Red Body	<b>Amber Lens</b>	115/230 VAC	High voltage
FHF22550725	Maxi	Red Body	<b>Blue Lens</b>	115/230 VAC	High voltage
FHF22550724	Maxi	Red Body	<b>Green Lens</b>	115/230 VAC	High voltage
FHF22550721	Maxi	Red Body	<b>Clear Lens</b>	115/230 VAC	High voltage
FHF22550727	Maxi	Red Body	<b>Magenta Lens</b>	115/230 VAC	High voltage
FHF22551382	Maxi	Dark Grey Body	<b>Red Lens</b>	10-60 VAC-DC	Low voltage
FHF22551383	Maxi	Dark Grey Body	<b>Amber Lens</b>	10-60 VAC-DC	Low voltage
FHF22551385	Maxi	Dark Grey Body	<b>Blue Lens</b>	10-60 VAC-DC	Low voltage
FHF22551384	Maxi	Dark Grey Body	<b>Green Lens</b>	10-60 VAC-DC	Low voltage
FHF22551381	Maxi	Dark Grey Body	<b>Clear Lens</b>	10-60 VAC-DC	Low voltage
FHF22551388	Maxi	Dark Grey Body	<b>Magenta Lens</b>	10-60 VAC-DC	Low voltage
FHF22550782	Maxi	Dark Grey Body	<b>Red Lens</b>	115/230 VAC	High voltage
FHF22550783	Maxi	Dark Grey Body	<b>Amber Lens</b>	115/230 VAC	High voltage
FHF22550785	Maxi	Dark Grey Body	<b>Blue Lens</b>	115/230 VAC	High voltage
FHF22550784	Maxi	Dark Grey Body	<b>Green Lens</b>	115/230 VAC	High voltage
FHF22550781	Maxi	Dark Grey Body	<b>Clear Lens</b>	115/230 VAC	High voltage
FHF22550787	Maxi	Dark Grey Body	<b>Magenta Lens</b>	115/230 VAC	High voltage