



MODEL DM-634

OXYGEN SENSOR ASSEMBLY

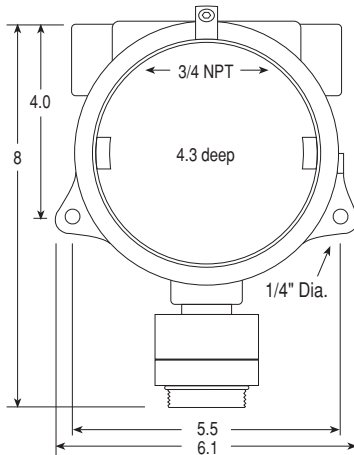
ISO 9001:2008
Certified

888-367-4286
713-559-9200
fax 281-292-2860
www.detcon.com
sales@detcon.com

SPECIFICATIONS

- Sensor Type**
Galvanic Metal Air Battery
- Measurement Range**
0-25% Oxygen
- Accuracy/Repeatability**
±2% FS
- Response/Clearing Time**
T90 <20 seconds
- Span Drift**
<5% signal loss per year
in first two years
- Linearity**
± 0.5% FS
- Operating Temperature Range**
-20°C to +50°C; -4°F to +122°F
- Operating Humidity Range**
0-99% RH non-condensing
- Output**
Linear 4-20 mA DC
RS-485 Modbus™
3 Relays (alarm 1, alarm 2, & fault)
Contacts rated 5 amps
- Input Voltage**
22-28 VDC
- Power Consumption**
<2.1 watts @ 24 VDC
- Electrical Classification**
Explosion proof
Class 1, Div. 1, Groups B, C, D
- Ingress Protection**
NEMA 4X, IP66
- Safety Approvals**
CSA/NRTL (US OSHA Certified)
- Sensor Life/Warranty**
Sensor: 2 year expected life
Sensor: 2 year warranty
Transmitter: 2 year warranty

DIMENSIONS



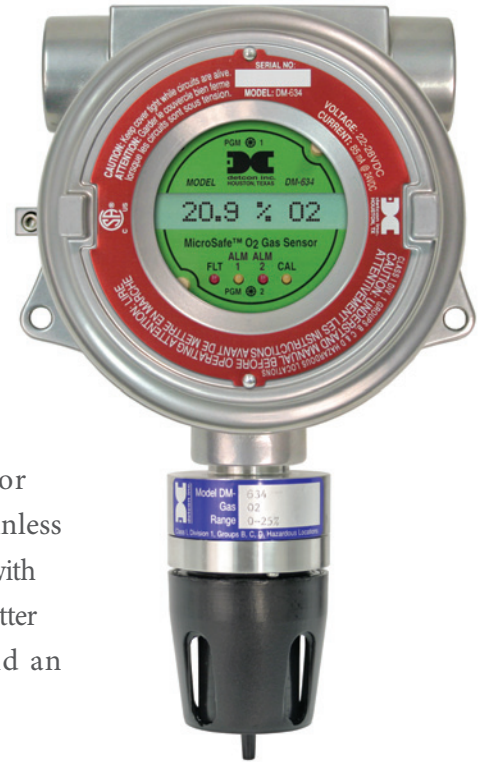
Splashguard 2"H x 2"Dia.

Electrochemical Fuel Cell

MicroSafe™ Intelligent Sensor

DESCRIPTION

Detcon Model DM-634 sensors are non-intrusive "Smart" sensors designed to monitor ambient air for concentrations of Oxygen in the range 0-25% by volume. The sensor assembly consists of a sensor in a stainless steel housing that includes a splashguard with integral cal port, a plug-in control transmitter circuit, a base connector board and an explosion proof enclosure.



FEATURES

- ▶ CSA-NRTL Approved: Class I, Division 1, Groups B, C, & D
- ▶ Compatible with PLCs, SCADA, DCS, via 4-20 mA, and/or RS-485, and/or alarm relays
- ▶ Sensor status and parameters accessible via RS-485 (Modbus™)
- ▶ Menu programmable relays standard (two alarms plus fault)
- ▶ Simple menu driven calibration - takes less than 3 minutes
- ▶ Backlit LCD, and LED indicators for Fault, and Cal status
- ▶ Plug-in field-replaceable transmitter
- ▶ Electrochemical plug-in sensor
- ▶ Embedded temperature compensation provides direct correction to changes in ambient temperature
- ▶ 2-year expected sensor life in air with 20.9% Oxygen

ORDER GUIDE

- PN 966-344520-025 DM-634 in Aluminum Junction Box
- PN 966-34452B-025 DM-634 in Stainless Steel Junction Box

www.detcon.com