

Quick installation and start-up guide

FEPL-02 Ethernet POWERLINK adapter module

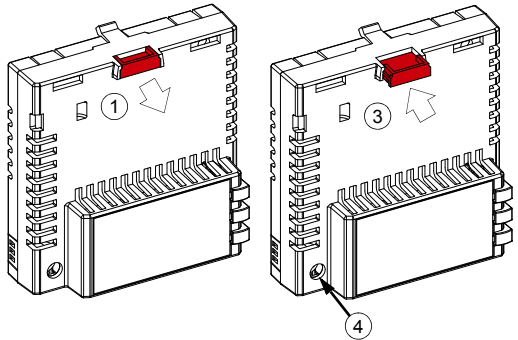
Safety instructions



WARNING! Obey the safety instructions. If you ignore them, injury or death, or damage to the equipment can occur. See the user's manual.

Mechanical installation

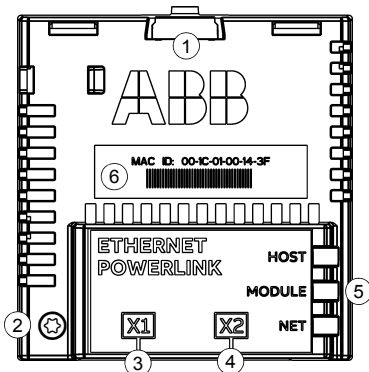
1. Pull out the lock.
2. Install the module carefully to an option module slot of the drive. See the drive hardware manual.
3. Push in the lock.
4. Tighten the screw to torque 0.8 N·m using a Torx TX10 screwdriver.



WARNING! Do not use excessive force, or leave the screw too loose. Over-tightening can damage the screw or module. A loose screw decreases the EMC performance, and can even cause an operation failure.

Electrical installation

Layout of the module



| No. | Description |
|-----|------------------------------|
| 1 | Lock |
| 2 | Mounting and grounding screw |
| 3 | RJ-45 connector [X1] |
| 4 | RJ-45 connector [X2] |
| 5 | Diagnostic LEDs |
| 6 | MAC ID |

Connection procedure

1. Connect the network cables to connectors [X1] and [X2] on the module.
2. Connect the cable from the master to the left port [X1].
3. In the line topology, if there are more slave devices in the same line, connect the next slave device to the right port [X2].

Start-up

When the module is connected to the drive, the drive control program sets the applicable parameters. See the appropriate drive manual.

Basic parameter settings

| Index | Name | Value |
|-------|-----------------------|--|
| 20.01 | Ext1 commands | Fieldbus A |
| 22.11 | Speed ref1 source | FBA A ref 1 |
| 28.11 | Frequency ref1 source | FBA A ref 1 |
| 50.01 | FBA A enable | Enable (or select the option slot in which the module is installed). This activates the communication module. The HOST LED becomes green. |
| 50.02 | FBA A comm loss func | Fault |
| 51.02 | Profile | The CANopen device profile (CiA 402) is the default value. |

To take the settings into use, validate and refresh the parameters with parameter *51.27 FBA par refresh*.

Further information

See the latest version of *FEPL-02 Ethernet POWERLINK adapter module user's manual* (3AUA0000123527 [English]) in ABB library (www.abb.com/drives/documents).

For more information on fieldbus options and protocols provided by ABB Drives, see the fieldbus communications web page (new.abb.com/drives/connectivity/fieldbus-connectivity).



[FEPL-02 manual](#)



[Fieldbus communications web page](#)



3AXD50000158164A

3AXD50000158164 Rev A (EN) 2017-11-23